

> BOX-T HT



High Temperature Centrifugal Fan



DESCRIPTION

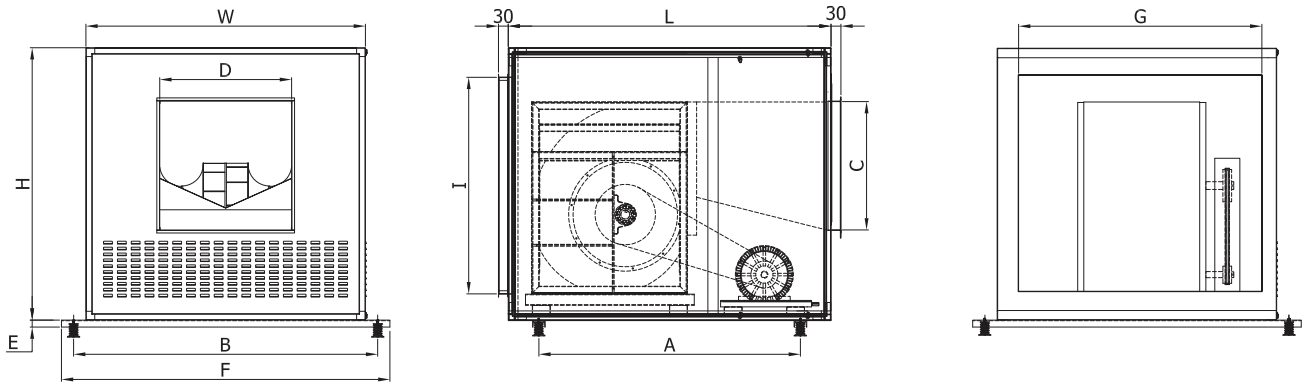
Cabinet centrifugal fan with separate motor cabin is designed for Fire resistance (outside the Fire Zone) kitchen exhaust or other applications where the drive system must be outside the air stream. The construction of BOX-T HT are of pentapost design & have strong three way aluminum joints to form a rigid Frame work, Pre-painted galvanized sheet steel panel. High performance centrifugal backward/forward curved impeller manufactured in steel sheet. Tested in accordance to standard EN 12101-3 :2002 and complies with the performance criteria for 400C/2hour and certified by applus. Asynchronous three phase motors outside the air steam according to IEC60034.

ACCESSORIES (AVAILABLE UPON REQUEST)

- Inlet counter-flange.
- Outlet counter-flange.
- Anti-vibration mount.
- Acoustic lining are available on request.

Applus⁺
F400/120





MODEL	L	H	W	C	D	G	I	F	E	A	B	Approx. Total Weight (kg)
7-7	850	650	670	228	259	470	405	920	70	550	820	110
8-8	850	650	670	256	287	470	405	920	70	550	820	110
9-7	900	700	740	262	232	540	450	990	70	600	890	130
9-9	900	700	740	262	298	540	450	990	70	600	890	130
10-8	950	745	820	289	265	615	495	1070	70	650	970	140
10-10	950	745	820	289	331	615	495	1070	70	650	970	140
12-9	1050	800	910	341	309	700	550	1160	70	700	1060	180
12-12	1050	800	910	341	395	700	550	1160	70	700	1060	180
15-11	1250	935	1120	404	373	910	685	1370	70	900	1270	240
15-15	1250	935	1120	404	471	910	685	1370	70	900	1270	240
18-13	1350	1020	1245	478	430	1040	770	1495	70	1000	1395	315
18-18	1350	1020	1245	478	557	1040	770	1495	70	1000	1395	315

200	850	650	670	256	256	470	405	920	70	550	820	110
225	900	700	740	288	288	540	450	990	70	600	890	130
250	950	745	820	322	322	615	495	1070	70	650	970	140
280	1050	800	910	361	361	700	550	1160	70	700	1060	180
315	1150	870	1010	404	404	800	615	1260	70	800	1160	215
355	1250	935	1120	453	453	910	685	1370	70	900	1270	240
400	1350	1020	1245	507	507	1040	770	1495	70	1000	1395	315
450	1450	1120	1380	569	569	1180	870	1630	70	1050	1530	360
500	1550	1240	1580	638	638	1345	1000	1830	70	1150	1730	410
560	1650	1350	1750	715	715	1520	1070	2000	70	1250	1900	485
630	1850	1475	1950	801	801	1715	1195	2200	70	1300	2100	610
710	2050	1650	2170	898	898	1940	1400	2420	70	1350	2320	750
800	2250	1850	2420	1007	1007	2190	1535	2670	70	1550	2570	910
900	2500	1995	2690	1130	1130	2460	1715	2940	70	1800	2840	1190
1000	2650	2155	3010	1267	1267	2775	1875	3260	70	1850	3160	1320

Notes:

All dimensions in mm.

Weight with Fan, Std. motor as per above frame size & Std. drive set.

Any Non-standard sizes & weight please consult with our local representative.

Dynair reserve the right, while leaving the essential characteristics the same to modify the data, photograph and anything else shown in the above without prior warning.